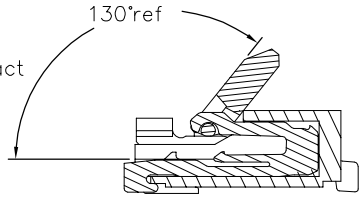
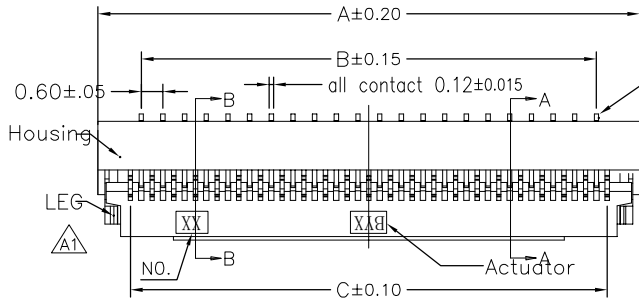
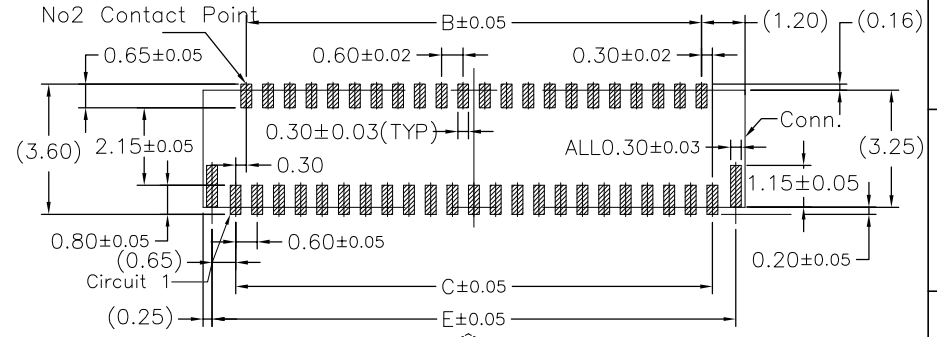


The product using material and processing must conform to the "WI-PZ-142"HSF technical standard control requirements

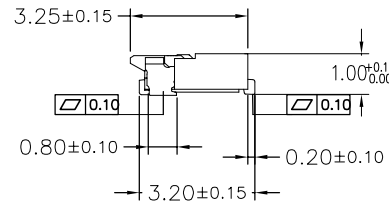
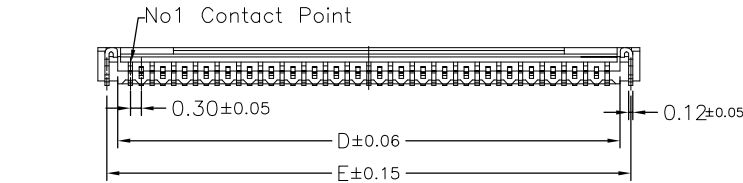
RoHS+HF



When Actuator Is Opened
Scale 2:1



FPC/FFC Insert Direction
Recommended P.C.B Layout



- NOTE:
- MATERIAL SPECIFICATION:
 - 1-1.HOUSING&CP NATURE UL94V-0, NATURAL.
 - 1-2.COVER&LCP NATURE UL94V-0, BLACK.
 - 1-3.SOLDER TABS: PHOSPHOR BRONZE
 - 1-4.CONTACTS: PHOSPHOR BRONZE
 - PLATING SPECIFICATION:
 - 2-1.CONTACTS: TIN/AU PLATED OVER ALL.
 - 2-2.SOLDER TABS: MATTE TIN PLATED OVER ALL.
 - MECHANICAL PERFORMANCE:
 - 3-1.REMOVAL FORCE: 1.0kgf MIN
 - ELECTRICAL PERFORMANCE:
 - 4-1. RATED CURRENT : 0.2A AC,DC
 - 4-2.INSULATION RESISTANCE: 50MΩ MIN
 - 4-3.WITHSTANDING VOLTAGE: 250V AC/minute
 - ENVIRONMENTAL PERFORMANCE:
 - 5-1. OPERATING TEMPERATURE: -55°C~+85°C.

6.P/N: F0302 10 F 9-2 XX 2 X X 01

SERIES NO: _____

HEIGHT: _____

1Q: 1.0mm

MALE FEMALE: _____

ANGLE: 9-90°

ROW NO: 2-DOUBLE ROW

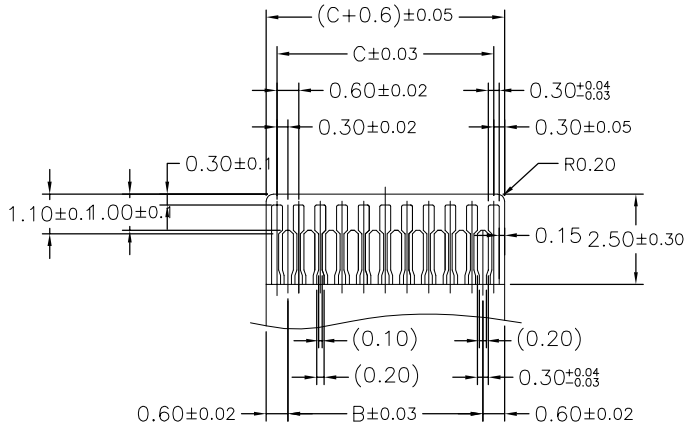
COLOR:
M-BEIGE
K-WHITE
A-BLACK

PLATING:
A-ALL AU G/F
1-G/F
C-BRIGHE TIN

TERMPPOINT:
2-SMT

PIN Q'PY:
13~73

| Circuit | Dimensions(mm) | | | | |
|---------|----------------|-------|-------|-------|-------|
| | A | B | C | D | E |
| 13 | 5.40 | 3.00 | 3.60 | 4.25 | 4.90 |
| 15 | 6.00 | 3.60 | 4.20 | 4.85 | 5.50 |
| 17 | 6.60 | 4.20 | 4.80 | 5.45 | 6.10 |
| 19 | 7.20 | 4.80 | 5.40 | 6.05 | 6.70 |
| 21 | 7.80 | 5.40 | 6.00 | 6.65 | 7.30 |
| 23 | 8.40 | 6.00 | 6.60 | 7.25 | 7.90 |
| 25 | 9.00 | 6.60 | 7.20 | 7.85 | 8.50 |
| 27 | 9.60 | 7.20 | 7.80 | 8.45 | 9.10 |
| 29 | 10.20 | 7.80 | 8.40 | 9.05 | 9.70 |
| 31 | 10.80 | 8.40 | 9.00 | 9.65 | 10.30 |
| 33 | 11.40 | 9.00 | 9.60 | 10.25 | 10.90 |
| 35 | 12.00 | 9.60 | 10.20 | 10.85 | 11.50 |
| 37 | 12.60 | 10.20 | 10.80 | 11.45 | 12.10 |
| 39 | 13.20 | 10.80 | 11.40 | 12.05 | 12.70 |
| 41 | 13.80 | 11.40 | 12.00 | 12.65 | 13.30 |
| 45 | 15.00 | 12.60 | 13.20 | 13.85 | 14.50 |
| 49 | 16.20 | 13.80 | 14.40 | 15.05 | 15.70 |
| 51 | 16.80 | 14.40 | 15.00 | 15.65 | 16.30 |
| 57 | 18.60 | 16.20 | 16.80 | 17.45 | 18.10 |
| 61 | 19.80 | 17.40 | 18.00 | 18.65 | 19.30 |
| 67 | 21.60 | 19.20 | 19.80 | 20.45 | 21.10 |
| 71 | 22.80 | 20.40 | 21.00 | 21.65 | 22.30 |
| 73 | 23.40 | 21.00 | 21.60 | 22.25 | 22.90 |



Applicable FPC

| REV. | REVISION RECORD | DATE | GENERAL TOLERANCES | | SCALE: | NAME | DATE | PART.NO: | DWG.NO: |
|------|-----------------|----------|--------------------|----------|----------|---------|----------|--------------------|--|
| A0 | NEW RELEASE | 21.01.13 | LINEAR | ANGLES | 1:1 | Wang_jr | 23.07.25 | F030210F9-2XX2XX01 | ENDE05 |
| A1 | 依实物修改图纸 | 23.07.25 | 0.00±0.25 | X°REF±6° | APPROVED | Ding_bo | 23.07.25 | TITLE: | FPC 0.3Pitch 1.0H clamshell connector. |
| | | | 0.00±0.10 | X°X'±2° | DESIGNER | LX_HOU | 23.07.25 | REV: A1 | |
| | | | UNIT: mm | | DRAWN | | | SHEET: 1/2 | |

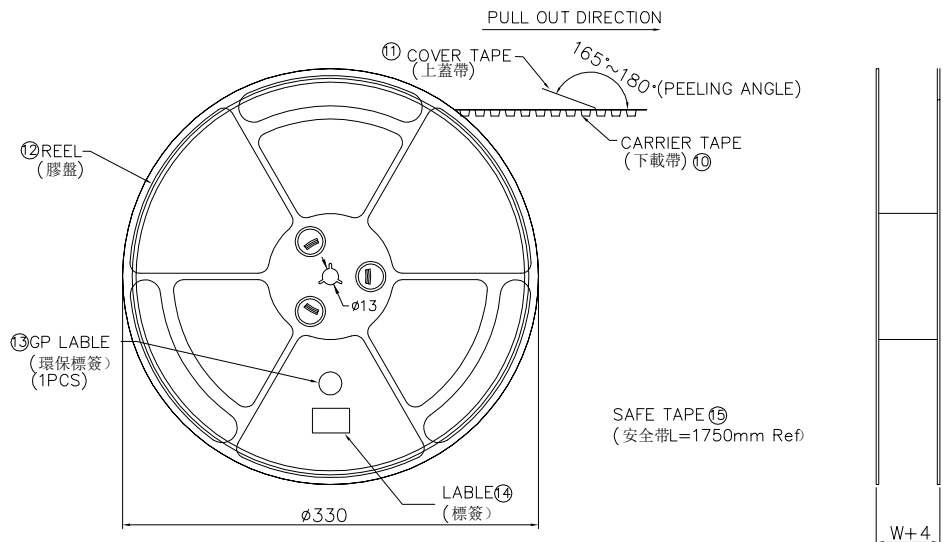


WanLian Teconology Co., Ltd

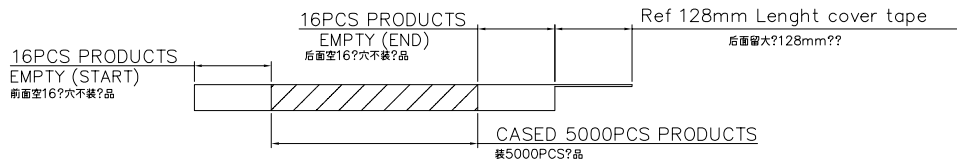
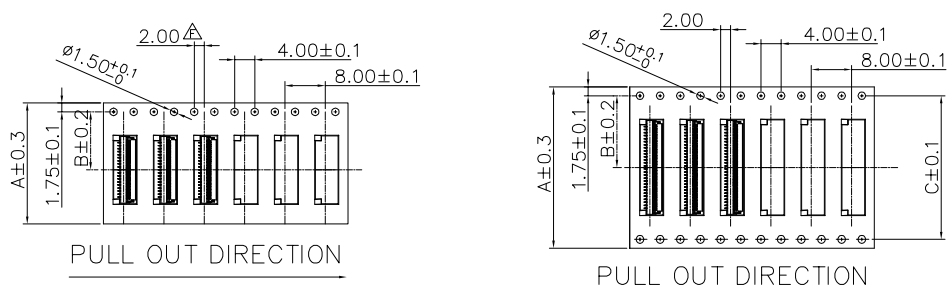
The product using material and processing must conform to the "WI-PZ-142"HSF technical standard control requirements

RoHS+HF

EMBOSSED TAPE PACKING 0.3mm Pitch FPC Connector, ZIF R/A SMT Type

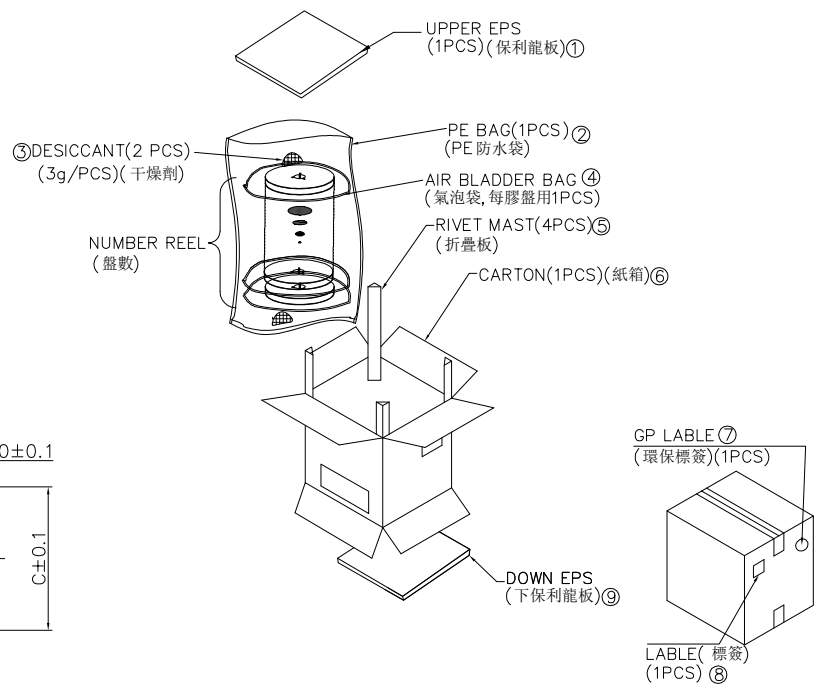


SCALE 1: 4



NOTE:

- 1.10 Sprocket hole pitch cumulative tolerance ± 0.20 .
2. Carrier camber is within 1mm in 100mm.
3. Material: black conductive polystyrene alloy.
4. Material Thickness: 0.3 ± 0.05 mm.
5. All dimensions meet EIA-481-B requirements.
6. 5000pcs Pef Reel.
7. For tape width(dim W)16 and 24mm pilot holes are provided on one sides.
For tape width(dim W)32, 44 and 56mm pilot holes are provided on both sides.



| PIN NO. | W | A | B | C | PCS /REEL | REEL/CARTON | SUM(PCS) |
|-------------|------|----|------|------|-----------|-------------|----------|
| 13PIN~25PIN | 20.5 | 16 | 7.50 | - | 5000 | 13 | 65000 |
| 27PIN~49PIN | 28.5 | 24 | 11.5 | - | 5000 | 10 | 50000 |
| 51PIN~61PIN | 36.5 | 32 | 14.2 | 28.4 | 5000 | 8 | 40000 |
| 67~73PIN | 48.5 | 44 | 20.2 | 40.4 | 5000 | 6 | 30000 |

| REV. | REVISION RECORD | DATE | GENERAL TOLERANCES | | SCALE: | NAME | DATE | PART.NO: | DWG.NO: |
|------|-----------------|----------|--------------------|------------|----------|----------|----------|--|---------|
| A0 | NEW RELEASE | 21.01.13 | | LINEAR | 1: 1 | Wang_jr | 23.07.25 | F030210F9-2XX2XX01 | ENDE05 |
| A1 | 依实物修改图纸 | 23.07.25 | | ANGLES | | | | | |
| | | | UNIT: mm | 0.00±0.25 | X°±3° | DESIGNER | Ding_bo | TITLE: FPC 0.3Pitch 1.0H clamshell connector. | REV: A1 |
| | | | SIZE: A4 | 0.000±0.10 | X°X° ±2° | DRAWN | LX_HOU | | |



WanLian Teconology Co., Ltd